

Notes:

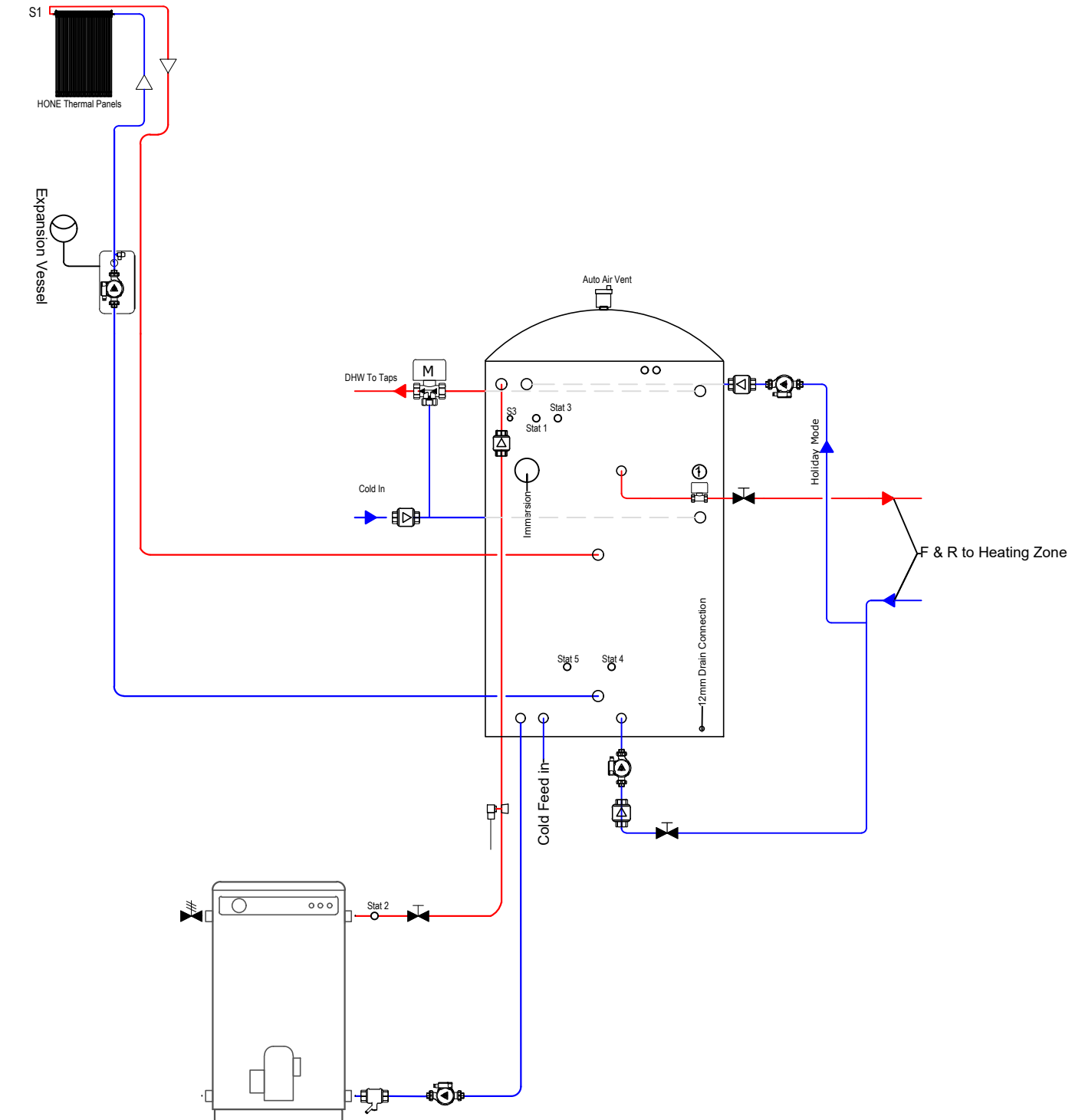
This drawing was produced by Photonomi Group Ireland and may not be loaned, copied or reproduced in anyway or used for any other quote, tender for construction purposes without written consent of the company

All measurements in mm unless otherwise specified

This drawing must be read in conjunction with HONE Thermal Wiring Schematic drawing



UNVENTED



Any design or modifications of the heating system is separate to the HONE Energy System.

Note: The heating system may have more than two zones

Holiday mode connected to one heating zone. Motorize valve (1) on zone must activate when Holiday mode active

LEGEND

	Isolating Valve		Pressure Regulating Valve		Motorised Valve		Automatic Bypass Valve		Oil Fire Slam Valve
	Safety Valve		Pressure Reducing Valve		3-Port Diverter Valve		Flow Regulating Valve		Oil Tank Filter
	P & T Valve		Pressure Relief Valve		3-Port Mixing Valve		DW Pressurisation Pump		Gas Slam Valve
	Auto Air Vent		Non Return Valve		Circulating Pump		Pressure Gauge		Strainer
	Temp Relief Valve		Drain Cock		Temperature Gauge		Tundish		Direction Arrow

PHOTONOMI GLOBAL GROUP

Photonomi Global Group a.r.l.,
Level 33
25 Canada Square
Canary Wharf, London
E14 5LQ, Great Britain

Client: HONE

Project: HONE HEAT

Drawing Title: Mechanical Schematic Unvented System- 1Zone

Drawing No: HH_UV001

Date: 22.05.2019

Scale: NTS

Rev:	Date:	Drawn By:	Checked:
R1	21/10/18	DH	
R2	22/05/19	DH	