

HONE 501 E Electric Modules



- ~ All Black
- ~ PERC High Efficiency
- ~ Lower Running Temp
- ~ Premium Performance
- ~ Daylight Optimised

Produce FREE electricity for your building with HONE Electric modules. Built with advanced PERC (Passivated Emitter Rear Cell Technology), the benefits of HONE 's higher efficiency versus standard PV cells can be seen in LIVE data analysis. There is no limit to the size of system you can install in a domestic or commercial installation by using HONE advanced inverter and storage solutions. HONE modules come as a complete package from design, mounting and inverters.

JET BLACK

230 WATT

PERC TECHNOLOGY

STRONG & DURABLE

25 YEAR HONE WARRANTY

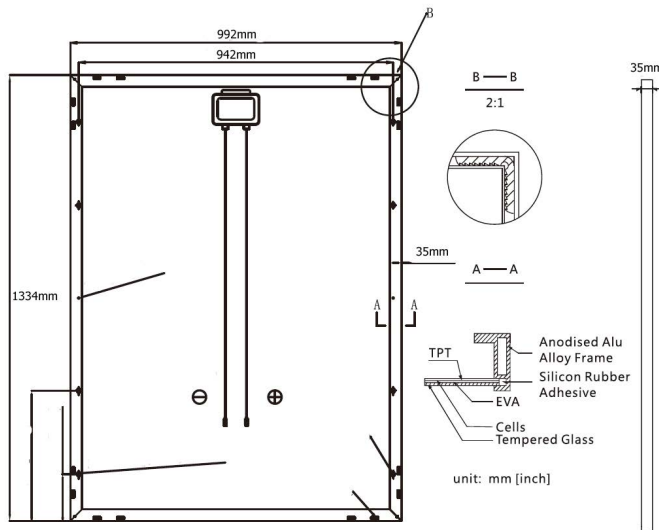


Electric Specifications

Model	HONE 501 Electric
Maximum Power (Pmax)	230W (~+5%)
Maximum Power Voltage (Vmp)	26.02
Maximum Power Current (Imp)	8.84
Open Circuit Voltage (Voc)	31.49
Short Circuit Current (Isc)	9.47
Nominal Operating Cell Temperature(NOCT)	45+/-2C
Maximum System Voltage	1000VDC
Maximum Series Fuse	15A
Fire Safety Class	Class C
Weight	15KG
Dimensions	1334mm x 992mm x 35mm
Module Application	Class A

- Power Tolerance 0/+3%
- Working Temperature -40C to 85C
- Max System Voltage 1000VDC
- Wind Rating 5400Pa
- Hail Resistance 40mm @ 80km/h
- Max Fuse Rating 15 Amp
- Frame Thickness 35mm

- Temp Coeff of Pmax -0.40
- Temp Coeff of Voc -0.30
- Temp Coeff of Isc 0.06



- IEC61730 safety rated for high wind pressure, hail impact, snow load and fire.
- Certified against Salt mist corrosion for coastal areas.
- Certified against Ammonia corrosion for agricultural installations.
- Produced in an environmentally friendly ISO 9001, OHSAS 18001 and ISO 14000 certified manufacturing facility.
- Tested to IEC / EN 61215.



Features

Classic all Black Panel

Monocrystalline

Smart-ready Junction Box

Produced in an ISO9001, OHSAS 18001 and ISO14000 certified manufacturing facility

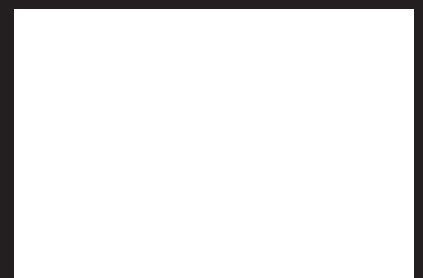
IEC / EN 61215

Quality Guaranteed
 12 Year Workmanship Warranty
 25 Year Output Performance Warranty
 >90% Output for 12 Years
 >80% Output for 25 Years

PERC TECHNOLOGY FOR PURE DAYLIGHT EFFICIENCY

Photonomi Global Group a.r.l.
 Level 37,
 1 Canada Square,
 Canary Wharf,
 London,
 United Kingdom,
 E14 5AA

web: www.honeworld.com
 email: sales@honeworld.com



PHOTONOMI
 GLOBAL GROUP

